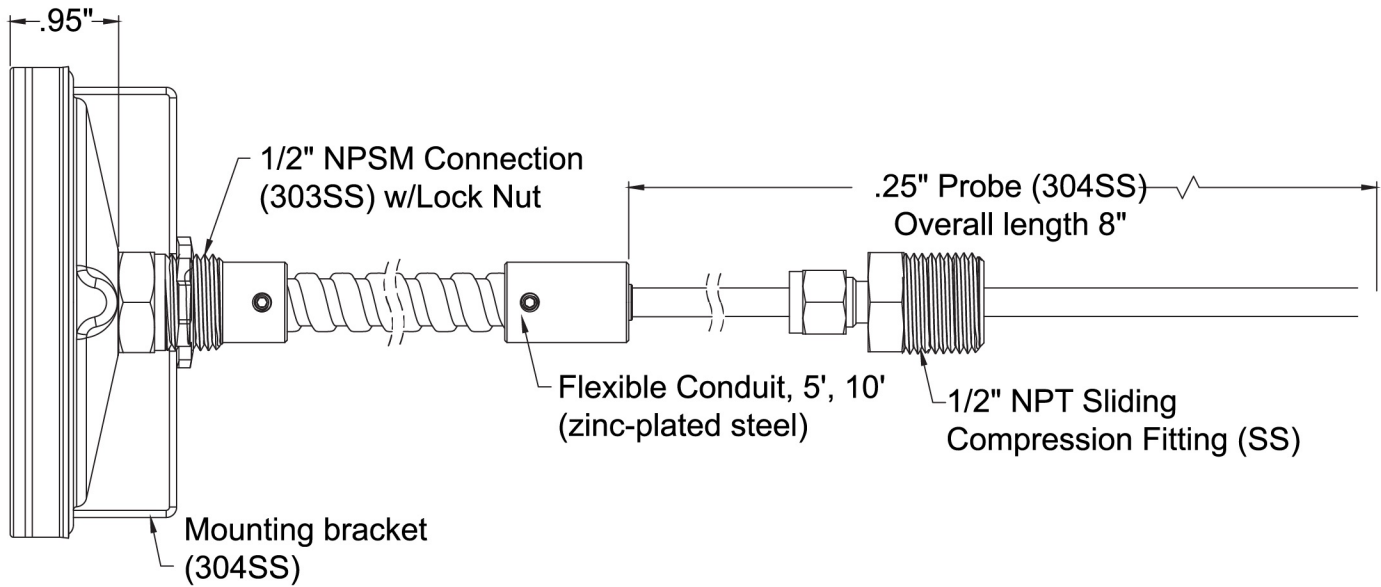




DIGI-TRU™ REMOTE THERMOMETERS

Operating and Verifying Instructions



GENERAL INFORMATION

- For accurate reading, thermometer must be immersed at least one inch into an agitated liquid or certified reference device.
- The battery has an expected service life of 8 years.
- Certificate of calibration available for additional fee.
- For more information on thermometer testing see www.teltru.com/topic/techbrief_TB719

CAUTION

- Any severe shock to the thermometer, dropping, bending of the stem or head, etc., can possibly impair its accuracy.
- When installing thermometer into threaded connection, always tighten with wrench on hex nut (NEVER use the head of the thermometer for tightening).

SPECIFICATIONS

Operating Temp. Range:	-67°F to 302°F (-55°C to 150°C)
Ambient Temp. Range:	20°F to 120°F (-7°C to 49°C)
Battery:	8 year life
Warranty:	2 years from shipment
Display Resolution:	0.1°F/C
Refresh Rate:	1 second
Accuracy:	±0.1 °F/C (maximum) from -4°F to 122°F (-20°C to 50°C)

INSTRUCTIONS FOR REPOSITIONING AND INSTALLING

Figure 1

This unit is intended for panel mount. To install, remove the bracket, place the face of the unit through the hole in the panel. Install the bracket and tighten with the lock nut.

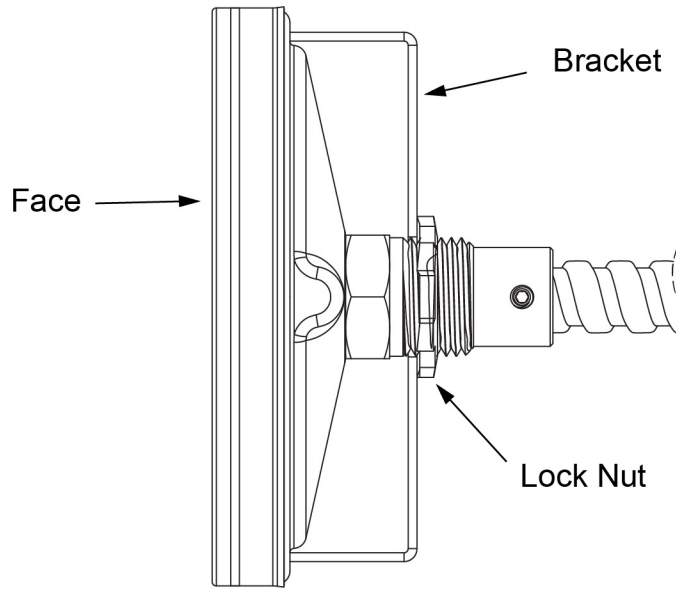
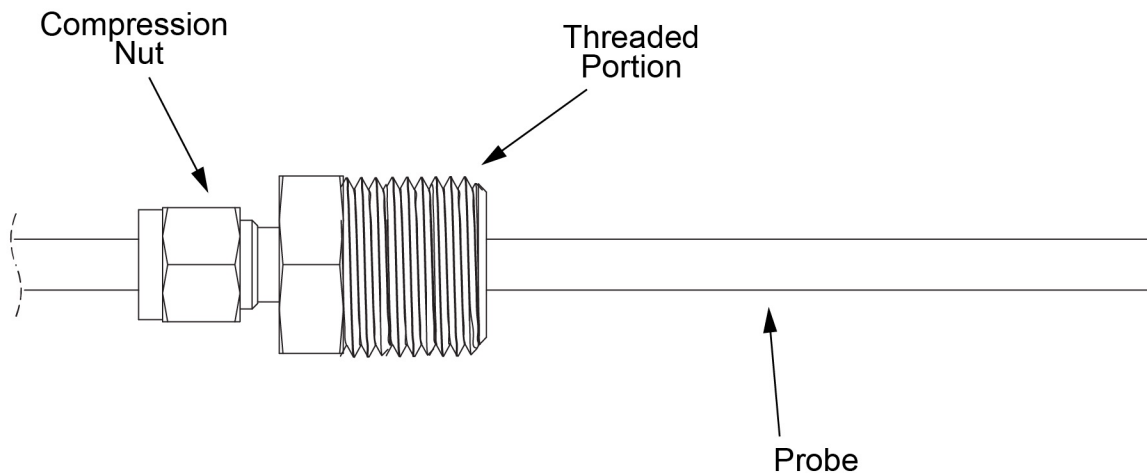


Figure 2

Loosen the compression nut so it slides freely on the probe. Install the threaded portion into the existing process fitting. Adjust the probe to the desired position in the compression fitting and tighten to lock it in place.



Tel-Tru Manufacturing Company

408 St. Paul Street, Rochester, New York 14605 USA

Phone: 585.232.1440 • 800.232.5335

E-mail: info@teltru.com • Web: www.teltru.com